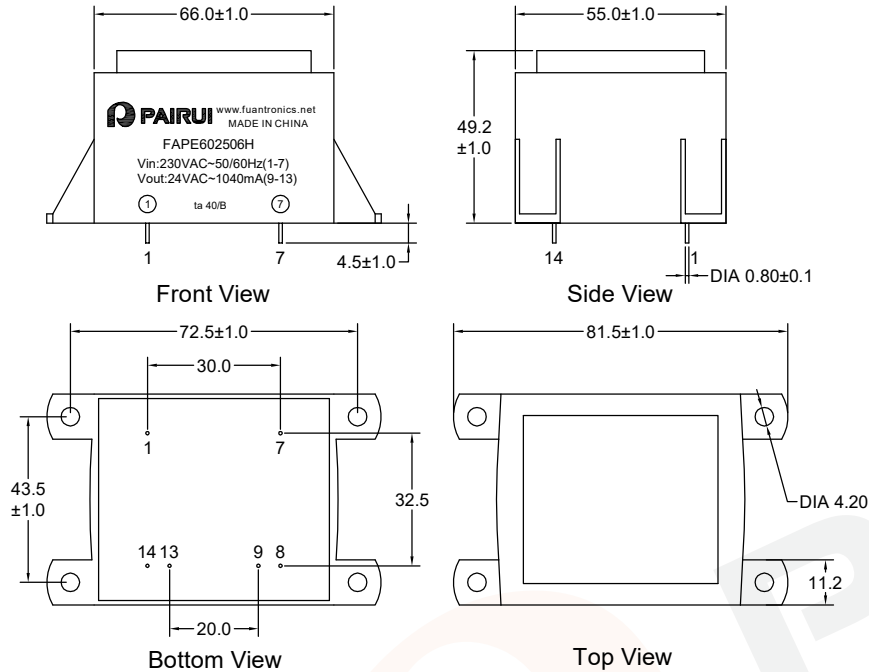


P/N: FAPE602506H



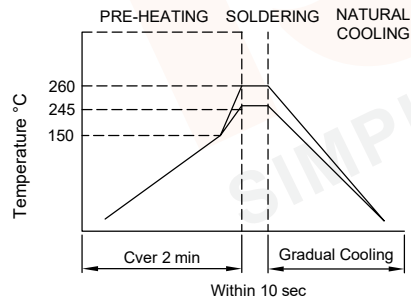
Outline Dimensions(Unit:mm)



Note:

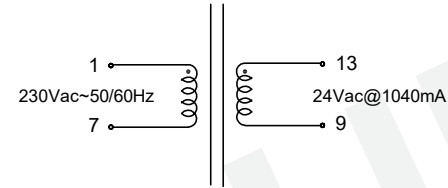
- 1.Remove Pins 2,3,4,5,6,10,11,12.

Wave Soldering



- Note:
- 1.Never Contact the ceramic with the iron tip;
 - 2.1.0mm tip diameter(max).

Electronical Schematic



Electrical Characteristics

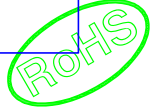
Input 230Vac 50Hz to 1-7 :
Excitation current(Ix):50mA Max.
Output: Vo=27.0Vac Typ(No-load).
VL=24.0Vac±5%(@1040mA).
Hi-Pot: Pri-Sec:4000VAC/5mA/60Second.

General Properties

Operating Temperature:-25°C to +40°C.
Storage Temperature:-25°C to +85°C.
Insulation Class: B.
Weight: 0.67kg.

| | | | | | | | | |
|-----|-------------|------|------|---|---|---|---|--|
| REV | DESCRIPTION | APPD | DATE | Tianchang Fuan Electronic Co Ltd www.fuantronics.net TEL: +86-550-7814888 FAX: +86-550-7831133 | <p>Tolerances unless otherwise specified: (.X)±0.50 (XX)±0.25 Unit of measurement: mm</p> | Make: Qiumei.Liu Checked: Beson. zhan Approved: Anson. zhan | DRAWING TITLE 25W Encapsulated Transformer For EI60*25.5,230VAC Input 50/60Hz Material Number: A226025XS050 | Customer Name: Document/Rev: 00 Specification Sheet: 1 of 2 Date of Recognition: Jan./02/2020 |
| | | | | | | | | |
| | | | | | | | | |

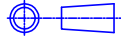
P/N: FAPE602506H



List of UL Certificate:

| No. | Part Name | Mat'l Description | Supplier | UL Number |
|-----|-------------|-----------------------------|-------------------------------------|-----------|
| 1 | Bobbin | EI60*25.5/PBT(Black) | Chang Chun Plastics Co Ltd | E59481 |
| 2 | Case | CASE-EI60*25.5/PA66(Orange) | Zhejiang Juner New Materials Co Ltd | E204321 |
| 3 | Copper wire | 2UEW-F/155C | Elektrisola Hangzhou Co Ltd | E258243 |
| 4 | Core | Lamination | Ta Yea Steel Industry Co Ltd | N/A |
| 5 | Epoxy | PU552(Black) | Wevo-Chemle Gmbh | E108835 |
| 6 | | | | |



| | | | | | | | | |
|-----|-------------|------|----------------------|---|---|-----------------------|---|--|
| | | | | Tianchang Fuan Electronic Co Ltd www.fuantronics.net TEL: +86-550-7814888 FAX: +86-550-7831133 |  Tolerances unless otherwise specified: (.X)±0.50 (.XX)±0.25 Unit of measurement: mm | Make: Qiumei.Liu | DRAWING TITLE 25W Encapsulated Transformer For EI60*25.5,230VAC Input 50/60Hz Material Number: A226025XS050 | Customer Name: |
| | | | Checked: Beson. zhan | | | Document/Rev: 00 | | |
| REV | DESCRIPTION | APPD | DATE | | | Approved: Anson. zhan | | Specification Sheet: 2 of 2 Date of Recognition: Jan./02/2020 |